

LUXPOWER® SERIES 5 485-505W Mono

M10/182mm Cell . 132 Half-Cell Layout

LUXPOWER® Series 5 solar modules stand out with the breakthrough innovation of M10 size (182mm) solar cells for the highest power generation and the lowest LCOE, which makes Series 5 the optimal choice for large solar power plants. The gallium-doped wafer technology empowers significantly the performance against LID and the latest integrated segmented ribbon technology increases the power output and enhances the module reliability for long-term use.



Gallium-doped Technology



Half Cut Cell Technology



MBB Technology



Anti-PID
Low LID
Performance

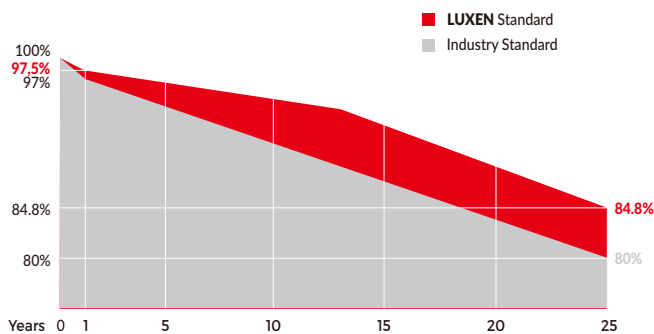


Less Hot Spot
Shading Effects



Lower BOS & LCOE

Linear performance Warranty



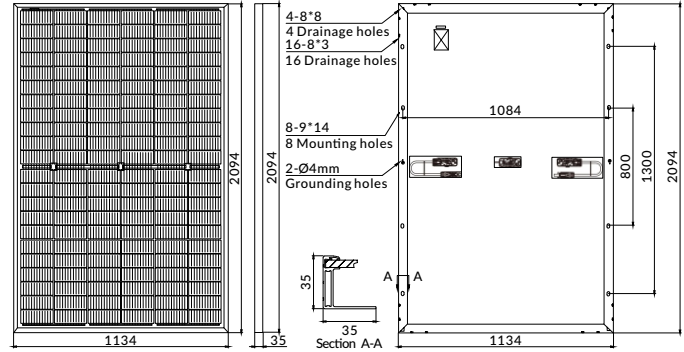
Comprehensive Certificates

- ISO9001:2015 QMS
- ISO14001:2015 EMS
- ISO45001:2018 OHSMS
- IEC61215/IEC61730 Standard quality



MECHANICAL CHARACTERISTICS

Solar Cells	Mono
No. of Cells	132 (6x22)
Dimensions	2094 x 1134 x 35mm
Weight	25.5kgs
Front Glass	3.2mm coated tempered glass
Frame	Anodized aluminium alloy
Junction Box	Ip68 rated (3 by pass diodes)
	4.0mm ²
Output Cables	300mm (+) / 400mm (-)
	Length can be customized
Connectors	Mc4 compatible
Mechanical load test	5400Pa



ELECTRICAL PARAMETERS

POWER CLASS	LNVT-485M		LNVT-490M		LNVT-495M		LNVT-500M		LNVT-505M	
	STC	NOCT	STC	NOCT	STC	NOCT	STC	NOCT	STC	NOCT
Maximum power (Pmax)	485W	365W	490W	369W	495W	373W	500W	377W	505W	381W
Open Circuit Voltage (Voc)	48.34V	44.93V	48.51V	45.18V	48.67V	45.44V	48.83V	45.69V	48.98V	45.94V
Short Circuit Current (Isc)	12.99A	10.55A	13.06A	10.59A	13.13A	10.63A	13.20A	10.67A	13.27A	10.71A
Voltage at Maximum power (Vmpp)	40.08V	36.76V	40.26V	37.01V	40.44V	37.26V	40.62V	37.51V	40.79V	37.76V
Current Maximum Power (Impp)	12.10A	9.93A	12.17A	9.97A	12.24A	10.01A	12.31A	10.05A	12.38A	10.09A
MODULE EFFICIENCY (%)	20.42%		20.64%		20.85%		21.06%		21.27%	

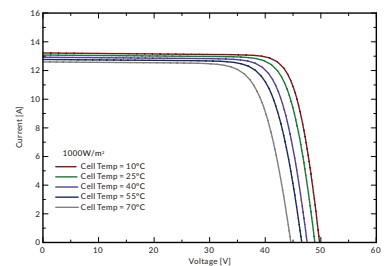
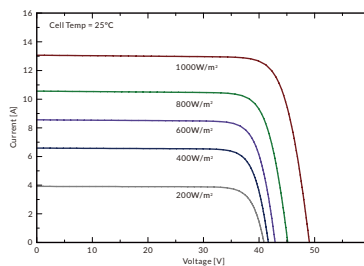
STC: Irradiance 1000W/m², cell temperature 25°C, AM1.5G NOCT: Irradiance 800W/m², ambient temperature 20°C, wind speed 1m/s, AM1.5G

PACKING CONFIGURATION

Container	20'GP	40'HQ
Pieces per pallet	31	31
Pallets per container	5	22
Pieces per container	155	682

I-V CURVE

LNVT-495M/I-V



OPERATING CHARACTERISTICS

Operating Module Temperature	-40°C to + 85°C
Maximum System Voltage	1500 DC (IEC)
Maximum Series Fuse Rating	25A
Power Tolerance	0/+5W

TEMPERATURE CHARACTERISTICS

Nominal Operating Temperature (Noct)	45±2°C
Temperature Coefficient of Pmax	-0.36%/°C
Temperature Coefficient of Voc	-0.28%/°C
Temperature Coefficient of Isc	+0.05%/°C

Note: Due to continuous technical innovation, R&D and improvement, technical data above mentioned may be of modification accordingly. LUXEN SOLAR have the sole right to make such modification at anytime without further notice.